



2 STAGE OIL-SEALED ROTARY VANE VACUUM PUMPS

Atlas Copco

GVD 8-12



FEATURES AND BENEFITS

- 48 dB(A) and intrusive frequencies minimized.
- Dual mode. Suitable for high throughput and high vacuum applications.
- Easy-to-use gas ballast.
- Fast acting inlet valve for system protection.
- High torque, dual voltage/dual frequency motor, electronic start relay.
- Efficient high pressure lubrication.
- Oil-tight with printed gaskets, effective shaft seals.
- Clamped-in sight glass.
- Oil box well contains filling spills.
- Hi-tech polymer blades, large diameter, easy-clean oil passages.
- Consistent, built-in quality, cast bar construction.

TECHNICAL SPECIFICATIONS GVD 8-12

	GVD 8		GVD 12	
	50 Hz	60 Hz	50 Hz	60 Hz
Displacement	9.7 m ³ h ⁻¹ / 5.7 cfm	11.7 m ³ h ⁻¹ / 6.9 cfm	14.2 m ³ h ⁻¹ / 8.4 cfm	17.0 m ³ h ⁻¹ / 10.0 cfm
Speed (Pneurop 6602)	8.5 m ³ h ⁻¹ / 5.0 cfm	10.0 m ³ h ⁻¹ / 5.9 cfm	12.0 m ³ h ⁻¹ / 7.1 cfm	14.2 m ³ h ⁻¹ / 8.4 cfm
Ultimate vacuum (total pressure) without gas ballast	2.0 x 10 ⁻³ mbar / 1.5 x 10 ⁻³ Torr		2.0 x 10 ⁻³ mbar / 1.5 x 10 ⁻³ Torr	
Ultimate vacuum (total pressure) with gas ballast in position 2	6.0 x 10 ⁻² mbar / 4.6 x 10 ⁻² Torr		6.0 x 10 ⁻² mbar / 4.6 x 10 ⁻² Torr	
Inlet connection	DN25 ISO-KF		DN25 ISO-KF	
Outlet connection	DN25 ISO-KF		DN25 ISO-KF	
Max. outlet pressure	0.2 bar / 3 psig gauge		0.2 bar / 3 psig gauge	
Max. inlet pressure for water vapor	38 mbar / 28.5 Torr		32 mbar / 24 Torr	
Max. water vapor pumping rate	60 gh ⁻¹		60 gh ⁻¹	
Weight (without oil)	28 kg / 61.6 lb		29 kg / 63.8 lb	
Motor power	450 W	550 W	450 W	550 W
Power connector 1-ph*	IEC EN60320 C13		IEC EN60320 C13	
Maximum oil capacity	0.75 litre		1 litre	
Minimum oil capacity	0.45 litre		0.65 litre	
Noise level	48 dB(A) @ 50 Hz		48 dB(A) @ 50 Hz	

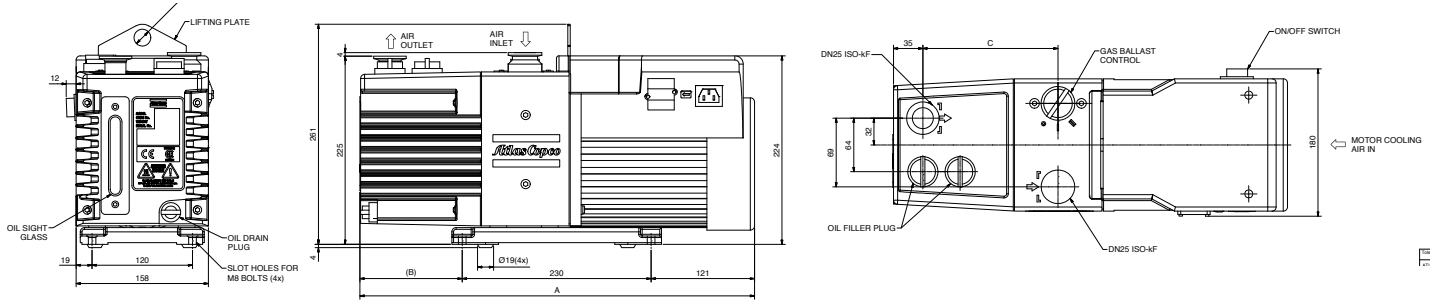
* 2m long 1-phase cable to be ordered separately. 3-phase motors connect directly to terminal box.



APPLICATIONS

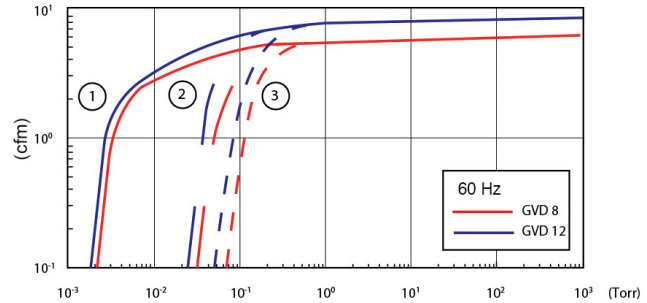
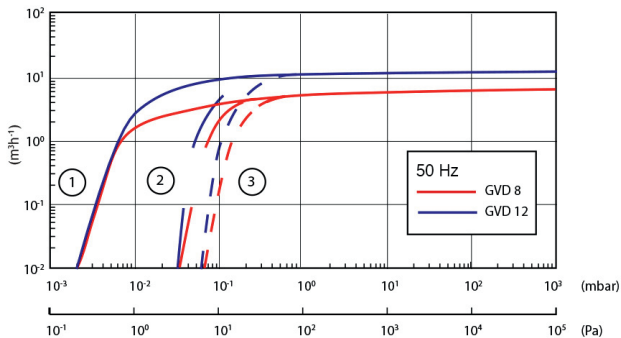
- Analytical instruments
- Centrifuges, ultra-high speed
- Coating
- Degassing/curing - oil, epoxy resin
- Distillation/extraction/filtration
- Freeze drying
- Furnaces
- Gas bottle filling/emptying
- Gel drying
- Glove boxes, ovens
- Laboratory bench top vacuum
- Leak detectors, Helium
- Refrigeration manufacture
- Research and development
- Rotary, centrifugal evaporators
- Scanning electron microscopes - SEM
- SEM/FIB (ion beam repair)
- Solvent recovery
- Surface science instruments
- Turbomolecular backing pumps

DIMENSIONS



MODEL	A	B	C
GVD 8	470	119	161
GVD 12	490	139	181

PERFORMANCE CURVES



- Without gas ballast.
- With gas ballast open in position 1.
- With gas ballast open in position 2.

- Available motor voltages:
- 1-ph 100-115 V 50/60 Hz
 - 1-ph 200-230 V 50/60 Hz
 - 3-ph 200-230 V, 380-415 V 50 Hz & 200-230/460 60 Hz

For ultimate vacuum figures, please consult the technical specification table on the front page.



www.atlascopco.com/vacuum

6996 0023 00 © 2014, Atlas Copco Vacuum Solutions Division. Designs and specifications are subject to change without notice or obligation. Read all safety instructions in the manual before usage.